



R32 INVERTER CASSETTE Reverse Cycle	
<b>INDOOR</b>	<b>OUTDOOR</b>
<b>AUTG45KRLA</b>	<b>AOTG45KBTA</b>



## TECHNICAL SPECIFICATIONS

Capacity	Cooling	Rated	kW	12.5
		Range	kW	4.0 — 14.0
	Heating	Rated	kW	11.2
		Range	kW	4.2 — 16.0
Input	Cooling		kW	3.89
	Heating		kW	3.44
Current	Cooling		A	16.3
	Heating		A	14.4
Max Running Current	Cooling <sup>(1)</sup>		A	20.5
	Heating		A	20.5
Starting Current			A	11.0
EER (Cooling)				3.21
AEER				3.234
COP (Heating)				4.07
ACOP				4.141
Moisture Removal			l/h	4.5
Air Circulation	Indoor (High Fan)		l/s	528
	Outdoor		l/s	1,167
Power Supply	Outdoor		240V - 1Ph - 50Hz	
Sound Pressure Level	Indoor (High Fan)		dB	44
	Outdoor		dB	54
Sound Power Level	Outdoor		dB	68
Weight (Net)	Indoor		Kg	30
	Outdoor		Kg	75
Dimensions HxWxD (mm)	Indoor		288 x 840 x 840	
	Outdoor		914 x 970 x 370	
Connection Pipe Sizes	Liquid		mm	9.52
	Gas		mm	15.88
Drain Pipe Sizes	Internal		mm	Ø 13.0 (I.D.)
	External		mm	Ø 16.7(O.D.)

<sup>1</sup> = The maximum current is the maximum value when operated within the operation range.



Cooling/Heating capacities are based on the following conditions (AS3823).

### Cooling

Indoor temp : 27°C DB / 19°CWB  
Out.4door temp : 35°C DB / 24°C WB

### Heating

Indoor temp : 20°C DB / 15°C WB  
Outdoor temp : 7°C DB / 6°C WB

Running current is at rated conditions (AS3823) and does not include compressor start-up or variations in power supply and load conditions.

All wiring specifications are minimum recommendations. Please consult AS/NZS 3000 and your local wiring rules for clarification of cable and circuit requirements.

Suitable access for warranty & service is required.

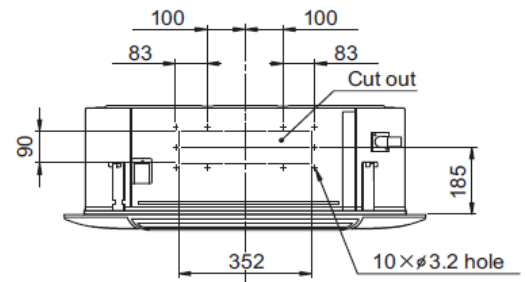
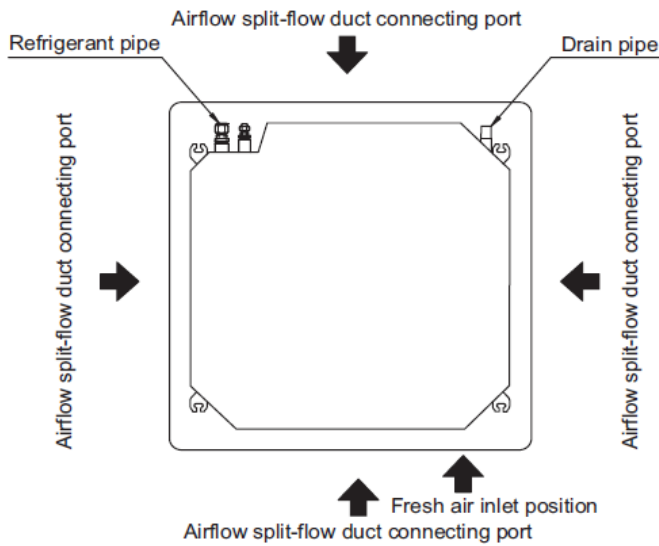
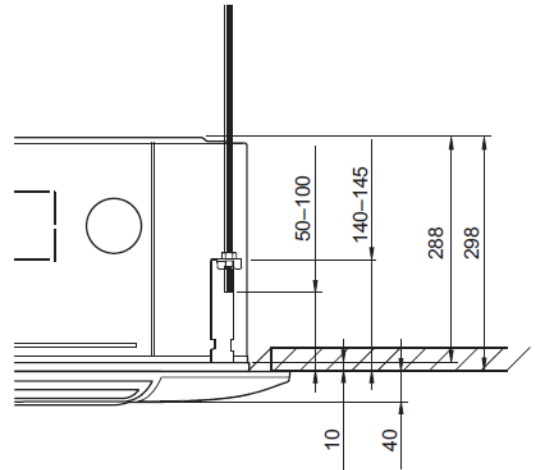
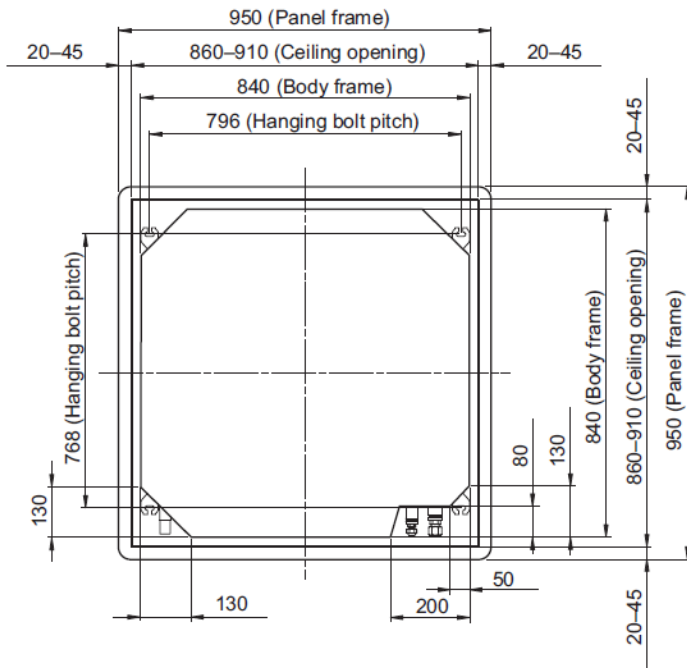
SOUND POWER LEVELS measured in accordance to AS1217.

Specifications and design are subject to change without notice. Please check with your dealer.

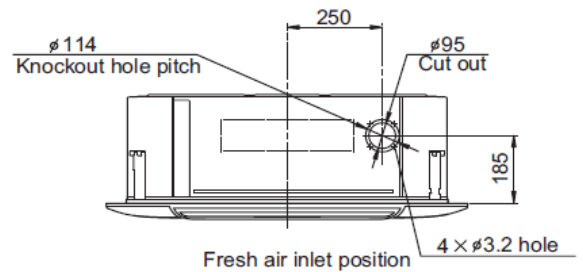
# Dimensions

## Indoor Unit

Unit: mm

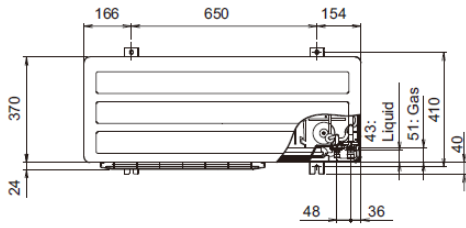


Detailed diagram of branched duct connecting port (4 sides)

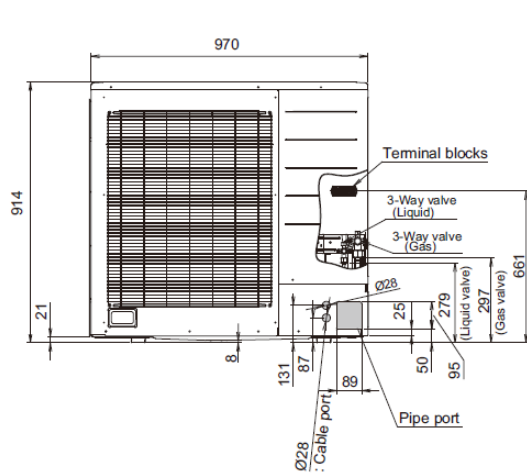


# Outdoor Unit

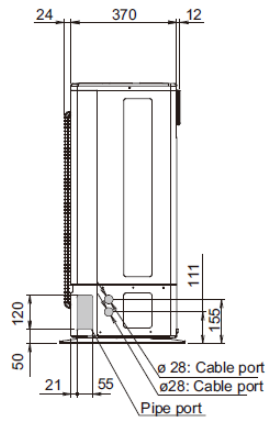
Unit : mm



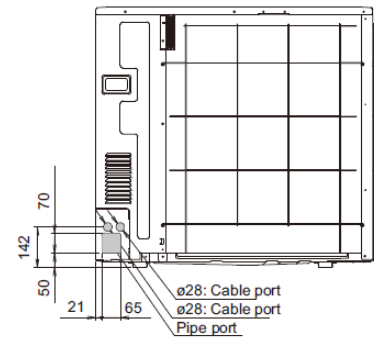
Top view



Front view



Side view



Rear view

# Technical Data

PI = Power Input (kW)

SHC = Sensible Heat Capacity (kW)

TC = Total Capacity (kW)

## Cooling Capacity

## Air Flow Rate 1900 m<sup>3</sup>/h

		Indoor temperature																				
		18			21			23			25			27			29			32		
		12			15			16			18			19			21			23		
Outdoor temperature	°CDB	TC	SHC	IP	TC	SHC	IP	TC	SHC	IP	TC	SHC	IP	TC	SHC	IP	TC	SHC	IP	TC	SHC	IP
	°CWB	kW			kW			kW			kW			kW			kW			kW		
	-15	11.34	8.71	2.44	12.63	8.76	2.48	13.06	9.53	2.50	13.92	9.56	2.52	14.35	10.32	2.53	15.21	10.28	2.56	16.07	10.95	2.58
	-10	11.44	8.70	2.34	12.74	8.75	2.38	13.18	9.52	2.39	14.05	9.55	2.42	14.48	10.31	2.43	15.35	10.27	2.45	16.22	10.94	2.48
	0	11.56	8.78	2.12	12.87	8.83	2.16	13.31	9.60	2.17	14.19	9.63	2.19	14.63	10.40	2.20	15.51	10.36	2.22	16.39	11.03	2.24
	5	11.38	8.79	2.20	12.67	8.84	2.23	13.10	9.61	2.24	13.97	9.64	2.26	14.40	10.41	2.28	15.26	10.37	2.30	16.13	11.05	2.32
	10	11.11	8.78	2.37	12.37	8.83	2.41	12.79	9.60	2.42	13.64	9.63	2.44	14.06	10.40	2.46	14.90	10.36	2.48	15.75	11.03	2.51
	15	10.84	8.68	2.55	12.07	8.74	2.59	12.49	9.50	2.61	13.31	9.53	2.63	13.72	10.29	2.65	14.54	10.25	2.67	15.37	10.92	2.70
	20	11.22	8.68	3.01	12.50	8.74	3.05	12.92	9.50	3.07	13.77	9.53	3.10	14.20	10.29	3.11	15.05	10.25	3.15	15.90	10.92	3.18
	25	11.10	8.78	3.20	12.36	8.83	3.25	12.79	9.60	3.26	13.63	9.63	3.30	14.05	10.40	3.31	14.89	10.36	3.35	15.74	11.03	3.38
30	11.34	8.85	4.07	12.63	8.90	4.13	13.06	9.67	4.16	13.92	9.70	4.20	14.35	10.48	4.22	15.21	10.44	4.26	16.07	11.12	4.30	
35	11.06	8.82	4.31	12.32	8.87	4.38	12.74	9.65	4.40	13.58	9.68	4.44	14.00	10.45	4.47	14.84	10.41	4.51	15.68	11.09	4.56	
40	8.79	7.79	3.73	9.79	7.84	3.79	10.13	8.52	3.81	10.80	8.55	3.85	11.13	9.23	3.87	11.80	9.19	3.91	12.47	9.79	3.94	
46	6.69	6.83	3.09	7.45	6.87	3.14	7.71	7.47	3.15	8.22	7.49	3.18	8.47	8.09	3.20	8.98	8.06	3.23	9.49	8.58	3.26	

## Heating Capacity

## Air Flow Rate 1800 m<sup>3</sup>/h

		Indoor temperature											
		16		18		20		22		24			
		TC	IP	TC	IP	TC	IP	TC	IP	TC	IP		
Outdoor temperature	°CDB	kW		kW		kW		kW		kW			
	°CWB	kW		kW		kW		kW		kW			
	-20	-21	8.51	3.81	8.31	3.89	8.10	3.97	7.90	4.05	7.70	4.13	
	-15	-16	10.90	4.29	10.64	4.22	10.38	4.31	10.12	4.40	9.86	4.48	
	-10	-11	11.86	4.25	11.57	4.38	11.29	4.47	11.01	4.56	10.73	4.65	
	-5	-7	12.96	4.25	12.65	4.34	12.34	4.43	12.03	4.43	11.73	4.43	
	0	-2	14.01	4.25	13.68	4.34	13.35	4.43	13.01	4.43	12.68	4.43	
	5	3	15.51	4.25	15.14	4.34	14.77	4.43	14.40	4.43	14.03	4.43	
	7	6	17.01	4.25	16.61	4.34	16.20	4.43	15.80	4.43	15.39	4.43	
	10	8	17.29	4.25	16.88	4.34	16.46	4.43	16.05	4.43	15.64	4.43	
15	10	16.80	3.80	16.40	3.88	16.00	3.96	15.60	3.96	15.20	3.96		
20	15	16.27	3.80	15.88	3.88	15.49	3.96	15.10	3.96	14.72	3.96		
24	18	16.79	3.26	16.39	3.33	15.60	3.40	15.60	3.40	15.20	3.40		

## Air Flow Chart (Cooling)

	Fan Speed	Number of Rotations (rpm)	Airflow	
			l/s	m <sup>3</sup> /h
Indoor	High	640	l/s	528
	Medium	560	l/s	458
	Low	510	l/s	406
	Quiet	430	l/s	319
Outdoor	-	780	l/s	1,167

## Air Flow Chart (Heating)

	Fan Speed	Number of Rotations (rpm)	Airflow	
			l/s	m <sup>3</sup> /h
Indoor	High	640	l/s	528
	Medium	560	l/s	458
	Low	510	l/s	406
	Quiet	430	l/s	319
Outdoor	-	780	l/s	1,167

# Specifications

## Electrical

Power Requirement	240V – 1Ph – 50Hz Outdoor		
Fuse Or Circuit Breaker (A)	32	Min Power Cable (mm <sup>2</sup> )	4.00
		Interconnecting Cables	3+E

## Compressor

Type	DC motor, Rotary x 1
Motor (W)	2,200

## Indoor Coil

Type	Copper Tube + Aluminium Fin
Rows / Stages	4 x 16
Fin Pitch (mm)	1.2
Coating	Hydrophilic Coating

## Outdoor Coil

Type	Copper Tube + Aluminium Fin
Rows / Stages	3 x 42
Fin Pitch (mm)	1.45
Coating	Blue Fin

## Indoor Fan And Motor

Fan Type	Turbo Fan x 1
Motor (W)	81

## Outdoor Fan And Motor

Fan Type	Propeller fan x 1
Motor (W)	111

## Refrigeration System

Refrigerant Type		R32
Charge	g	2,450
Maximum Line Length / Height	m	75 / 30
Pre-Charged Length	m	30
Additional Charge	g/m	40
Connection Method		IU: Brazing / OU: Flared
Expansion Control		Electronic Expansion Valve

## Safety Devices

Indoor	Circuit Protection	Current fuse (PC board)	250 V 3.15 A
	Fan Motor Protection	Thermal protection program	125°C OFF +10°C 120°C ON -10°C
Outdoor	Circuit Protection	Current fuse (Near terminal)	250V 30A
		Current fuse (Filter PCB)	250V 10A x 2 250 V 3.15 A 250 V 30 A
		Current fuse (Main PCB)	250 V 3.15 A
	Fan Motor Protection	Thermal Protection Program	OFF: 80 °C +10°C ON: 116 °C - 9°C
	Compressor Protection	Thermal Protection Program (Compressor Temp.)	OFF: 80 °C ON: 120 °C
		Thermal Protection Program (Discharge Temp.)	OFF: After 7 Minutes ON: 110 °C
High pressure protection	Pressure Switch	Activate: 4.2 +/- 0.1MPa Reset: 3.2 +/-10.15MPa	
Low Pressure Protection	Pressure Sensor	Activate: 12 MPa Reset: . 15 MPa	
Operating Ranges	Cooling	Indoor	18 °C to 32 °C
		Outdoor	-15 °C to 46 °C
	Heating	Indoor	16 °C to 30 °C
		Outdoor	-20 °C to 24 °C

\* Specifications and design are subject to change without notice. Please check with your dealer.

**FUJITSU GENERAL (AUST) PTY LIMITED**  
ACN 001 229 554  
A SUBSIDIARY OF FUJITSU GENERAL LIMITED

**HEAD OFFICE:** SYDNEY : (02) 8822 2500  
MELBOURNE : (03) 9543 5899  
BRISBANE : (07) 3257 2800  
ADELAIDE : (08) 8172 1180  
PERTH : (08) 9240 5877

**HOME PAGE** [www.fujitsugeneral.com.au](http://www.fujitsugeneral.com.au)