



WALL MOUNTED INVERTER Cooling Only	
INDOOR	OUTDOOR
ASTG18CMCA	AOTG18CMCA



**INVERTER**

## TECHNICAL SPECIFICATIONS

Capacity	Cooling	Rated	kW	5.00
		Range	kW	1.00 - 6.50
	Heating	Rated	kW	-
		Range	kW	-
Input	Cooling		kW	0.21 - 2.20
	Heating		kW	-
Current	Cooling		A	5.2
	Heating		A	-
Max Running Current	Cooling <sup>(1)</sup>		A	9.5
	Heating		A	-
Starting Current			A	5.2
EER (Cooling)				4.100
AEER				4.188
COP (Heating)				-
ACOP				-
Moisture Removal			l/h	2.6
Air Circulation	Indoor (High Fan)		l/s	258
	Outdoor		l/s	569
Power Supply	Outdoor		240V - 1Ph - 50Hz	
Sound Pressure Level	Indoor (High Fan)		dB	46
	Outdoor		dB	47
Sound Power Level	Outdoor		dB	65
Weight (Net)	Indoor		Kg	14
	Outdoor		Kg	39
Dimensions HxWxD (mm)	Indoor		295 x 940 x 270	
	Outdoor		620 x 790 x 290	
Connection Pipe Sizes	Liquid		mm	6.35
	Gas		mm	12.70
Drain Pipe Sizes	Internal		mm	13.8
	External		mm	15.8 - 16.7

<sup>1</sup> = The maximum current is the maximum value when operated within the operation range.

Cooling/Heating capacities are based on the following conditions (AS3823).

### Cooling

Indoor temp : 27°C DB / 19°CWB  
Outdoor temp : 35°C DB / 24°C WB

### Heating

Indoor temp : 20°C DB / 15°C WB  
Outdoor temp : 7°C DB / 6°C WB

Running current is at rated conditions (AS3823) and does not include compressor start-up or variations in power supply and load conditions.

All wiring specifications are minimum recommendations. Please consult AS/NZS 3000 and your local wiring rules for clarification of cable and circuit requirements.

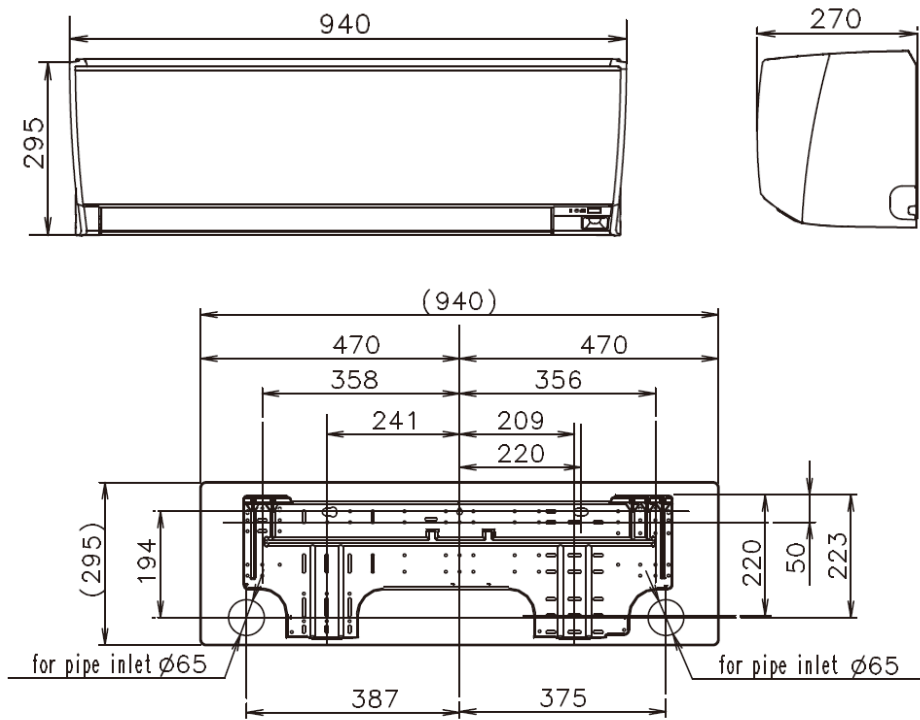
Suitable access for warranty & service is required.

SOUND POWER LEVELS measured in accordance to AS1217.

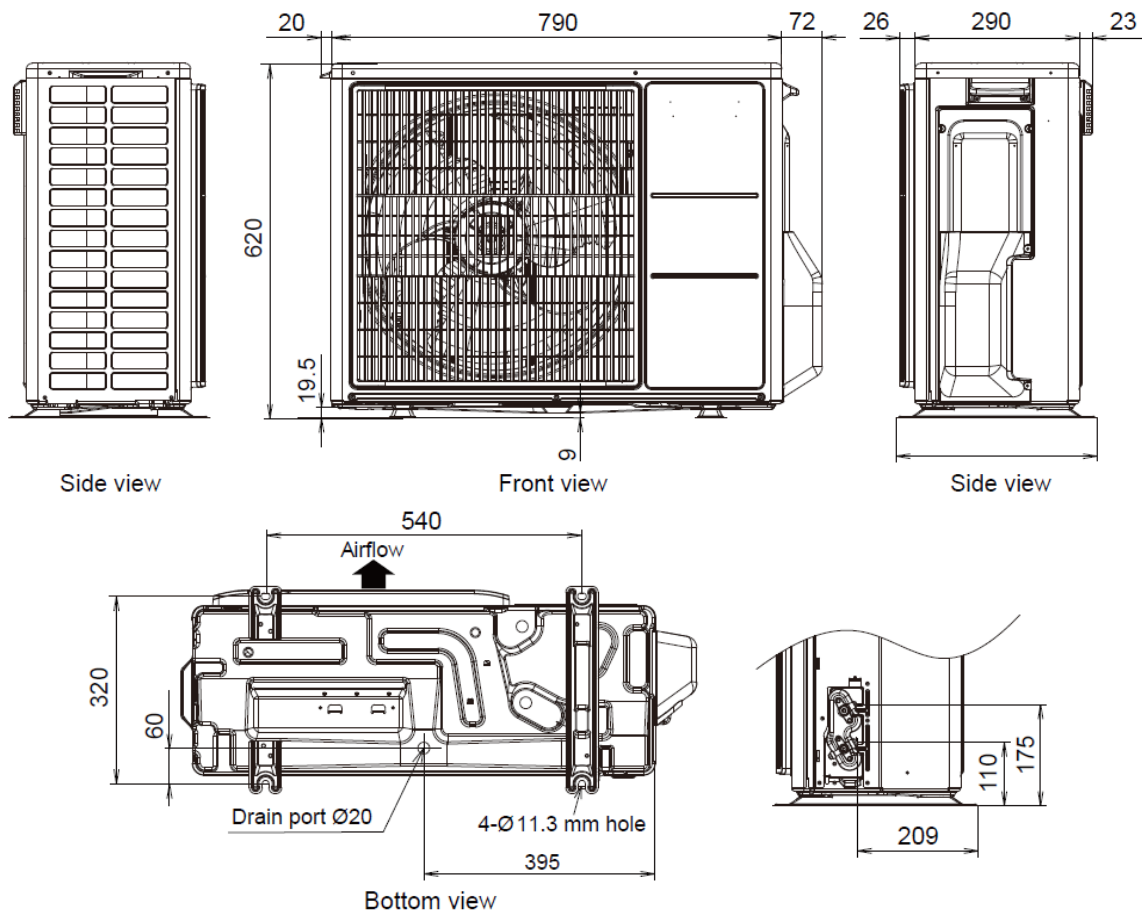
Specifications and design are subject to change without notice. Please check with your dealer.

# Dimensions

## Indoor Unit



## Outdoor Unit



# Technical Data

PI = Power Input (kW)

SHC = Sensible Heat Capacity (kW)

TC = Total Capacity (kW)

## Cooling Capacity

**Air Flow Rate 15.5 m<sup>3</sup>/min**

		Indoor Temperature																				
		18 °CDB			21 °CDB			23 °CDB			25 °CDB			27 °CDB			29 °CDB			32 °CDB		
		12 °CWB			15 °CWB			16 °CWB			18 °CWB			19 °CWB			21 °CWB			23 °CWB		
Outdoor Temperature	(°CDB)	TC	SHC	PI	TC	SHC	PI	TC	SHC	PI	TC	SHC	PI	TC	SHC	PI	TC	SHC	PI	TC	SHC	PI
	20	4.57	3.02	0.86	5.09	3.04	0.87	5.27	3.31	0.88	5.61	3.32	0.89	5.79	3.58	0.89	6.14	3.57	0.90	6.48	3.80	0.91
	25	4.37	2.95	0.96	4.87	2.97	0.97	5.03	3.23	0.98	5.36	3.24	0.99	5.53	3.49	0.99	5.86	3.48	1.00	6.19	3.71	1.01
	30	4.14	2.82	1.07	4.61	2.84	1.09	4.77	3.08	1.09	5.08	3.09	1.10	5.24	3.34	1.11	5.55	3.33	1.12	5.87	3.55	1.13
	35	3.95	2.72	1.18	4.40	2.74	1.20	4.55	2.98	1.20	4.85	2.99	1.21	5.00	3.22	1.22	5.30	3.21	1.23	5.60	3.42	1.24
	40	3.68	2.64	1.29	4.10	2.65	1.31	4.24	2.88	1.32	4.52	2.89	1.33	4.66	3.12	1.34	4.94	3.11	1.35	5.22	3.32	1.37
	46	3.29	2.58	1.52	3.66	2.60	1.54	3.79	2.82	1.55	4.04	2.83	1.57	4.16	3.06	1.57	4.41	3.04	1.59	4.66	3.24	1.61

## Air Flow Chart

	Fan Speed	Number of Rotations (rpm)	Airflow	
			l/s	
Indoor	High	1240	l/s	258
	Medium	1040	l/s	217
	Low	880	l/s	175
	Quiet	740	l/s	139
Outdoor	-	740	l/s	569

# Specifications

## Electrical

Power Requirement	240V – 1Ph – 50Hz Outdoor		
Fuse Or Circuit Breaker (A)	16	Min Power Cable (mm <sup>2</sup> )	2.5
		Interconnecting Cables	3+E

## Compressor

Type	DC motor, Rotary x 1		
Motor (W)	1200		

## Indoor Coil

Type	Copper Tube + Aluminium Fin
Rows / Stages	Main: 3 x 24, Sub: 1 x 10
Fin Pitch (mm)	Main: 1.2, Sub: 1.4
Coating	Hydrophilic Coating

## Outdoor Coil

Type	Copper Tube + Aluminium Fin
Rows / Stages	Main: 2 x 28 Sub: 1 x 26
Fin Pitch (mm)	1.45
Coating	Blue Fin

## Indoor Fan And Motor

Fan Type	Cross flow fan x 1
Motor (W)	61

## Outdoor Fan And Motor

Fan Type	Propeller fan x 1
Motor (W)	49

## Refrigeration System

Refrigerant Type		R32
Charge	g	1270
Maximum Line Length / Height	m	30 / 20
Pre-Charged Length	m	20
Additional Charge	g/m	20
Connection Method		IU: Flare-less / OU: Flared
Expansion Control		Electronic Expansion Valve

## Safety Devices

Indoor	Circuit Protection	Current fuse (PC board)	250 V 3.15 A	
	Fan Motor Protection	Thermal protection program	150°C OFF	+15°C
Outdoor	Circuit Protection	Current fuse (Main PCB)	250V 25A	
		Current fuse (Main PCB)	250V 3.15A	
	Fan Motor Protection	Thermal Protection Program	OFF:100°C	+15°C
	ON:95°C	-10°C		
Compressor Protection	Thermal Protection Program (Discharge Temp.)	OFF: 110 °C ON: After 7 minutes		
Thermal Protection	Thermal Protection Fuse (Terminal)	1 A 70 °C		
Operating Ranges	Cooling	Indoor	18°C to 32 °C	
		Outdoor	-10°C to 46 °C	
	Heating	Indoor	-	
		Outdoor	-	

\* Specifications and design are subject to change without notice. Please check with your dealer.

FUJITSU GENERAL (AUST) PTY LIMITED  
ACN 001 229 554  
A SUBSIDIARY OF FUJITSU GENERAL LIMITED

HEAD OFFICE

HOME PAGE

SYDNEY : (02) 8822 2500

MELBOURNE : (03) 9543 5899

BRISBANE : (07) 3257 2800

ADELAIDE : (08) 8172 1180

PERTH : (08) 9240 5877

www.fujitsugeneral.com.au